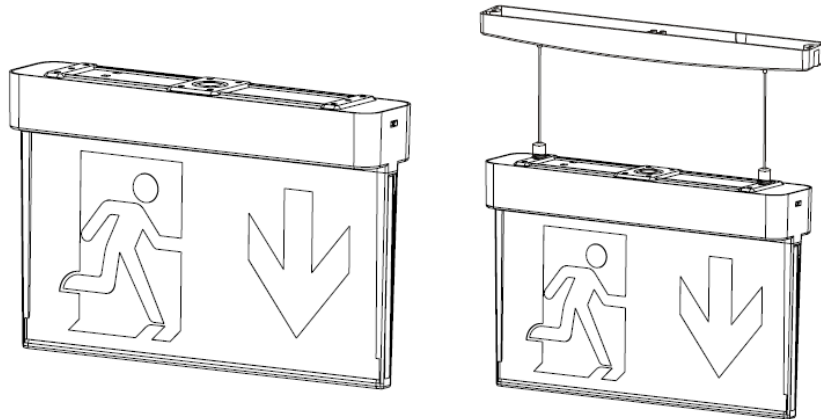


## Emergency Exit Sign

Product code: BY-EL-EXIT



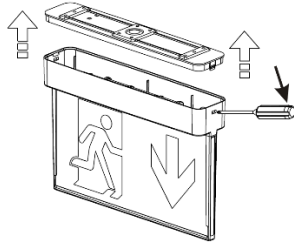
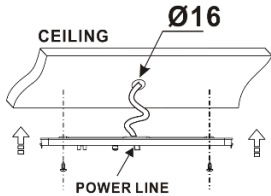
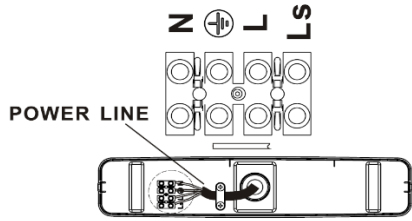
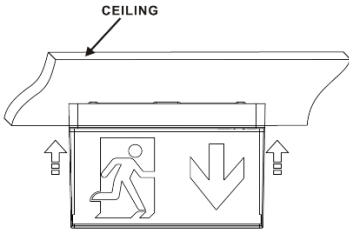
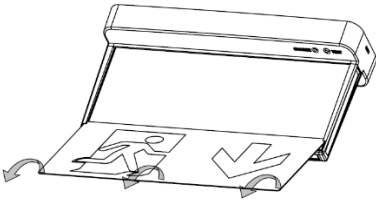
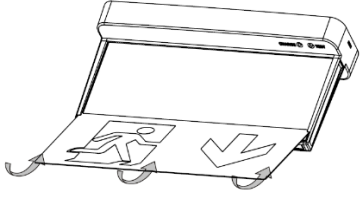
**WARNING:** Ensure that the power supply is switched off and the work is always executed by qualified electricians.

Specifications:

1. Operating temperature: 0 ~ 40 °C
2. Rated voltage: 220-240V 50/60Hz
3. Rated power: 3.7W
4. Emergency duration: >180min
5. Battery: 3.6V 800mAh Ni-Cd
6. Recharge time: 24h



## Installation

<p><b>1. Pry open the top cover.</b></p> 	<p><b>2. Create a hole in the ceiling and lead out the power line to install the top cover to the ceiling.</b></p> 
<p><b>3. Connect the powerline to the terminal.</b></p> 	<p><b>4. Install the product to the ceiling.</b></p> 
<p><b>5. Remove the pictogram through the bottom.</b></p> 	<p><b>6. Insert the pictogram through the bottom.</b></p> 

## Safety instructions

1. Minimum distances around the device should be ensured for sufficient ventilation.
2. Pay attention to the environment when you dispose the batteries.
3. If the external cable or cord of this luminaire is damaged, it should only be replaced by a qualified person.
4. Batteries are the Ni-Cd type and have a normal service life of approximately 4 years. Batteries should in any case, be replaced only with the type specified, and exclusively replaced by a qualified person.
5. Before commencing installation (and before maintenance at any time), ensure that the main supply and the battery pack are disconnected.

## Functionality of the switch

The switch offers the testing possibility, when the test switch is pressed, the product will go into emergency mode

## Functionality indicator

The green light will be on when the fixture is working normally.  
The green light will be off in case there is a battery failure.

## Routine test record

Test date	Tested by	Signature

### When you may want to replace this fixture:

When you decide to replace the fixture, please do not dispose it with your normal waste and recycle where the facilities exist. When you need to dispose of the fixture, check with your local authority or retailer for the suitable options.

