

# BAIYILED LED INDIRECT PANEL LIGHT

PLB Series 40W / 80W

## Product Features

Enjoy savings up to 70% and zero maintenance without compromising on brightness or light quality. The Baiyiled PLB panel light combines unique optics with exceptional energy-efficiency to create a very pleasant light source with low glare and excellent colour rendering.

Innovative optics for excellent brightness without glare  
 Show merchandise in the best possible light with stunning vibrancy of colour  
 NANO Technology enabled reflector provides more reflecting efficiency with smoother light  
 Low inrush current control circuit feature for ease of installation in retrofit situations  
 Excellent harmonic characteristics and a power factor of 0.98

BAIYILED PLB LED panel light has been certified by TÜV, CE, RoHS, LM79, etc. It has also been tested by many other European institutes and labs with excellent results.

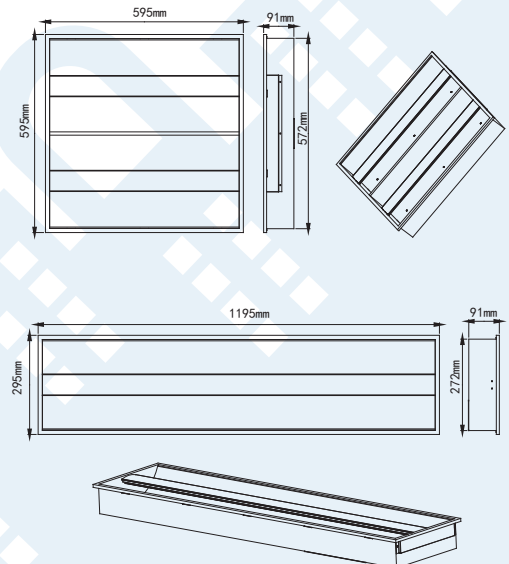


## Applications

Offices  
 Supermarkets  
 Retail  
 Hospital  
 Hotel  
 Factories

## Parameters

Lifespan	50000H	
Rated power	40W / 80W	
Voltage	AC 90-264V 50Hz/60Hz	
Lamp size	40W	595 x 595 x 91 mm 295 x 1198 x 91 mm
	80W	595 x 1198 x 91 mm
Beam angle	140°	
CRI	≥85	
Color temperature	3000K/4000K	
Luminous flux	40W	3600lm
	80W	7200lm
Working environment	-20°C~45°C	
Mounting	Recessed	
Power factor	>0.98	
Power efficiency	>86%	
Dimmable	Optional	



# BAIYILED

BAIYILED EUROPE B.V.  
Koningsbeltweg 72A  
1329AK Almere  
The Netherlands

Email : [Info@baiyiled.nl](mailto:Info@baiyiled.nl)  
Tel : +31 (0)36 7850321  
Website: [www.baiyiled.nl](http://www.baiyiled.nl)