

BAIYILED LED INDIRECT PANEL LIGHT

PLB Series 40W / 80W

Product Features

Enjoy savings up to 70% and zero maintenance without compromising on brightness or light quality. The Baiyiled PLB panel light combines unique optics with exceptional energy-efficiency to create a very pleasant light source with low glare and excellent colour rendering.

Innovative optics for excellent brightness without glare
 Show merchandise in the best possible light with stunning vibrancy of colour
 NANO Technology enabled reflector provides more reflecting efficiency with smoother light
 Low inrush current control circuit feature for ease of installation in retrofit situations
 Excellent harmonic characteristics and a power factor of 0.98

BAIYILED PLB LED panel light has been certified by TÜV, CE, RoHS, LM79, etc. It has also been tested by many other European institutes and labs with excellent results.

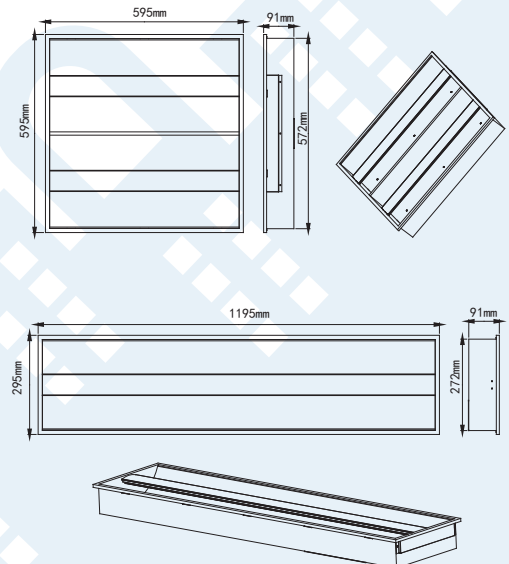


Applications

Offices
 Supermarkets
 Retail
 Hospital
 Hotel
 Factories

Parameters

Lifespan	50000H	
Rated power	40W / 80W	
Voltage	AC 90-264V 50Hz/60Hz	
Lamp size	40W	595 x 595 x 91 mm 295 x 1198 x 91 mm
	80W	595 x 1198 x 91 mm
Beam angle	140°	
CRI	≥85	
Color temperature	3000K/4000K	
Luminous flux	40W	3600lm
	80W	7200lm
Working environment	-20°C~45°C	
Mounting	Recessed	
Power factor	>0.98	
Power efficiency	>86%	
Dimmable	Optional	



BAIYILED

BAIYILED EUROPE B.V.
Koningsbeltweg 72A
1329AK Almere
The Netherlands

Email : Info@baiyiled.nl
Tel : +31 (0)36 7850321
Website: www.baiyiled.nl