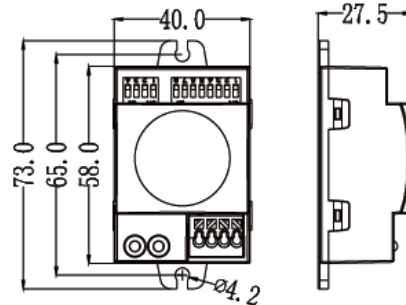


**Microwave Sensor instruction for BAIYILED LED LSB Smartled Luminaire**



**Specifications**

Power source: 220V/AC  
 Power frequency: 50Hz  
 Rated load: 500W Max.

(220VAC tungsten  $\cos\phi=1$ )  
 200W Max.  
 (220VAC fluorescent  $\cos\phi=0.5$ )

HF system: 5.8GHz CW radar, ISM band

Installation sit: Ceiling mounting, Wall installation

Transmission power: <math><0.2\text{mW}</math>

Detection angle: 360°(Ceiling installation)  
 180°(wall installation)

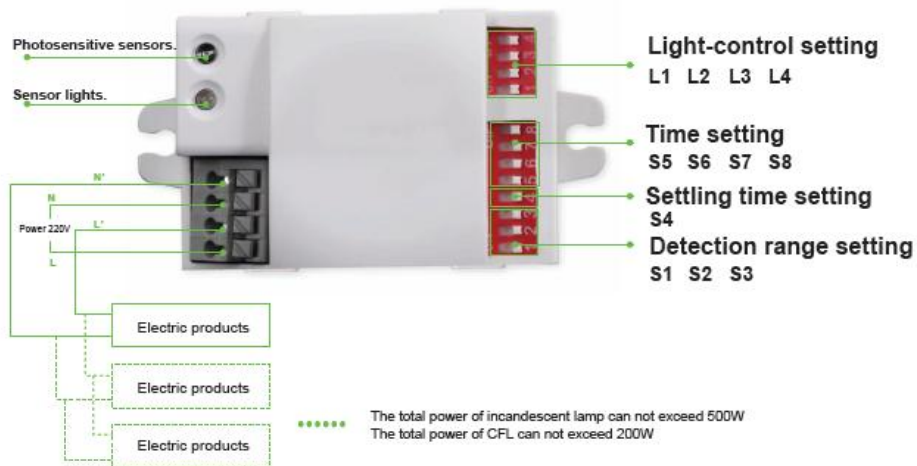
Detection range: 1-12m(radii.) (adjustable)

Time setting: 8sec/30sec/90sec/6min/20min/30min (adjustable)

Light-control: 10LUX/25LUX/50LUX/150LUX/2000LUX  
 (adjustable)

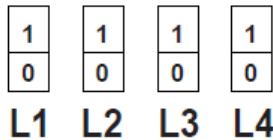
Standby power: Approx. 0.5W

**Parameter setting**



### Light-control setting L1 L2 L3 L4

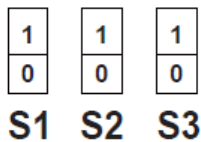
The chosen light response threshold can be infinitely from approx. 10-2000lux, pull switch to the ON position as "1", pull switch to the OFF position as "0", switch location and detection range of the corresponding table is as follows:



L1	L2	L3	L4	ILLUMINANCE
0	0	0	0	≤10LUX
1	0	0	0	25LUX
0	1	0	0	50LUX
0	0	1	0	150LUX
0	0	0	1	2000LUX

### Detection range setting S1 S2 S3

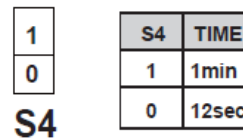
Detection range is the term used to describe the radii of the more or less circular detection zone produced on the ground after mounting the sensor light at a height of 2.5m, pull switch to the ON position as "1", pull switch to the OFF position as "0", switch location and detection range of the corresponding table is as follows:



S1	S2	S3	DETECTION RANGE
1	0	0	1m
1	1	0	3m
0	0	1	5m
1	0	1	8m
1	1	1	12m

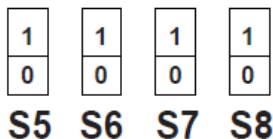
### Settling time setting S4

The settling time is the time that the light remains on before entering the normal detection condition, pull switch to the ON position as "1", pull switch to the OFF position as "0", the position of the switch and corresponding time shown as the right chart:



### Time setting S5 S6 S7 S8

The light can be set to stay ON for any period of time between approx. 6sec and a maximum of 12min. Any movement detected before this time elapse will re-start the timer. It is recommended to select the shortest time for adjusting the detection zone and for performing the walk test. Pull switch to the ON position as "1", pull switch to the OFF position as "0", switch location and detection range of the corresponding table is as follows:



S5	S6	S7	S8	TIME
0	0	0	0	8sec
0	0	0	1	30sec
0	0	1	0	90sec
0	1	0	0	6min
1	0	0	0	20min
1	1	1	1	30min